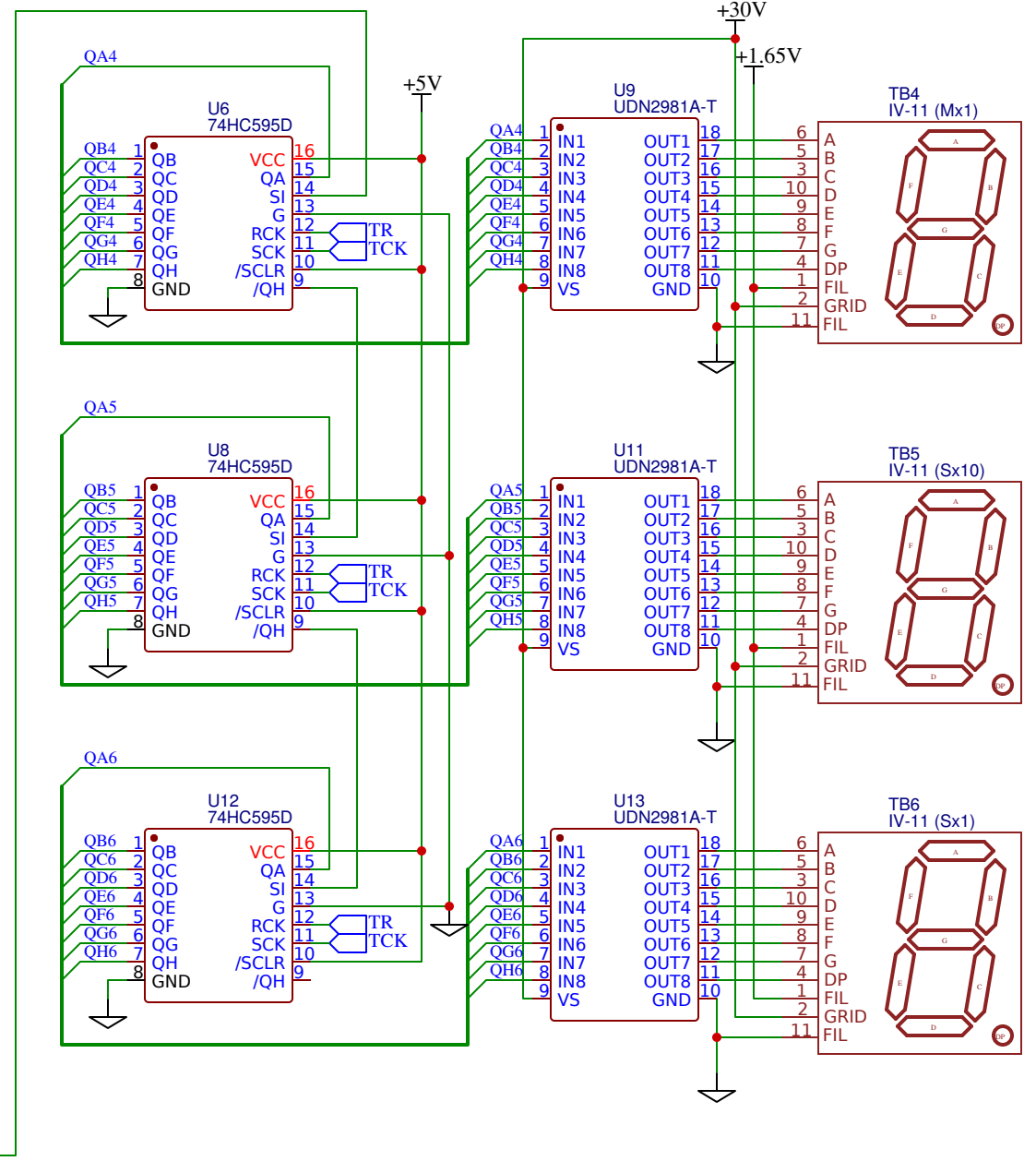
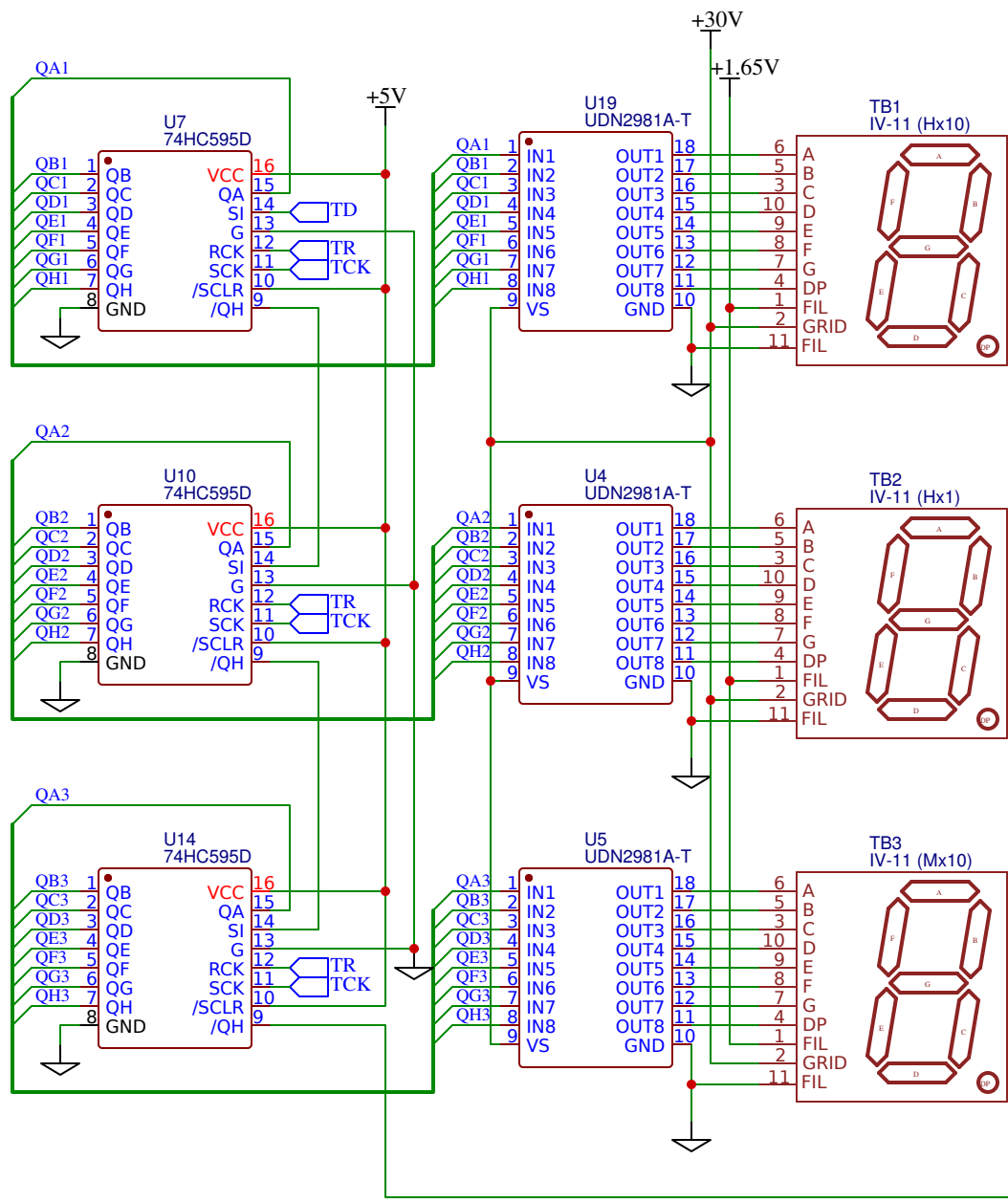
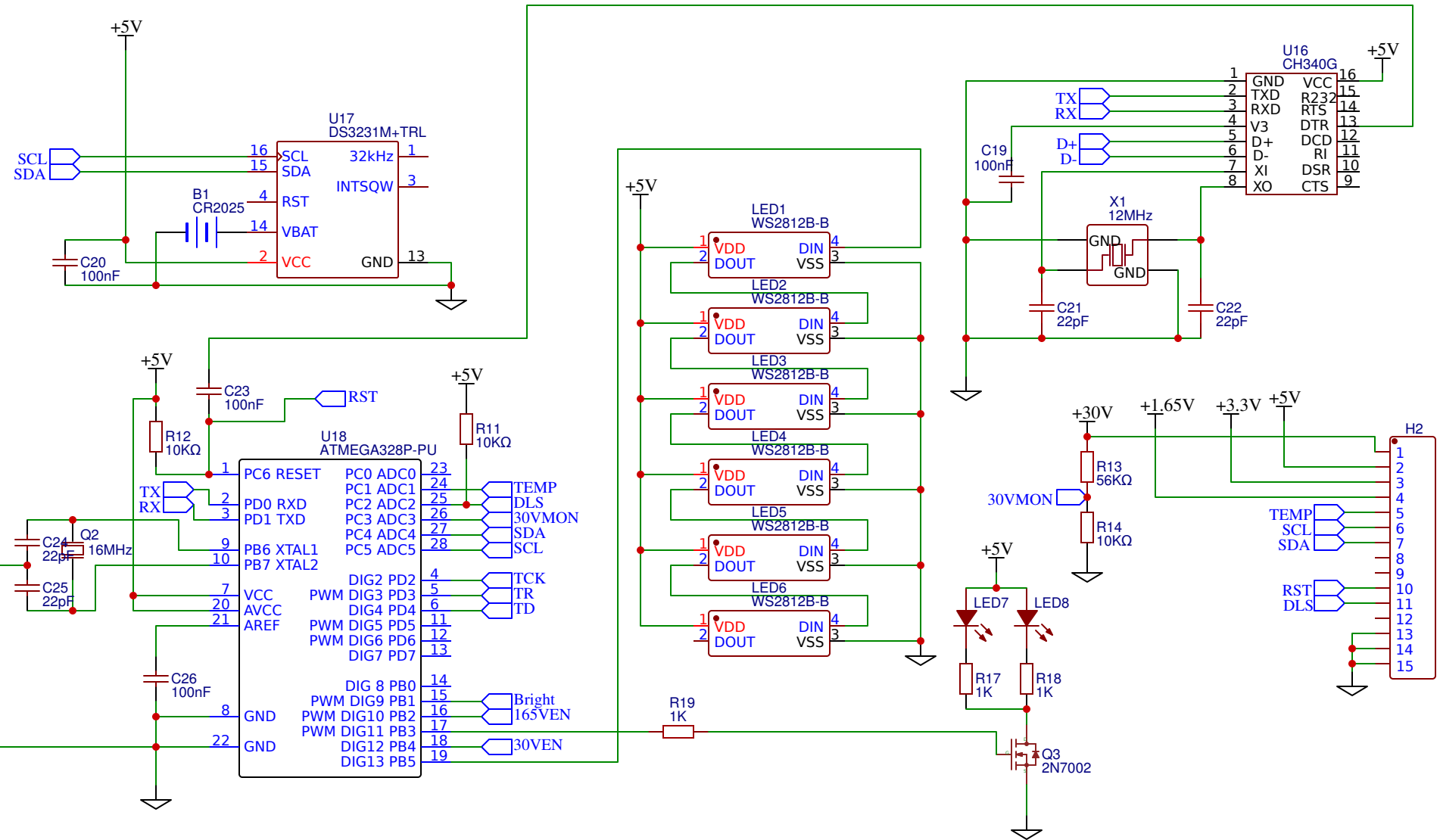


TITLE: VFD Clock Mk3 (PSU)		REV: 1.0
Date: 2018-10-14	Sheet: 1/1	
EasyEDA V5.8.16	Drawn By: AndySmithersHome	



TITLE: VFD Clock Mk3 (Tubes and Drivers)		REV: 1.0
Date: 2018-10-14	Sheet: 1/1	
EasyEDA V5.8.16	Drawn By: AndySmithersHome	



TITLE: VFD Clock Mk3 (Control)		REV: 1.0
Date: 2018-10-14	Sheet: 1/1	
EasyEDA V5.8.16	Drawn By: AndySmithersHome	